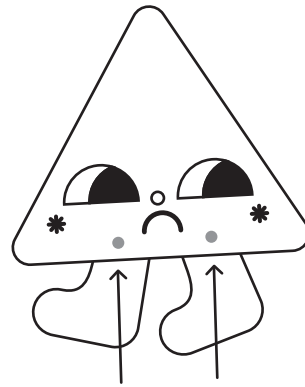
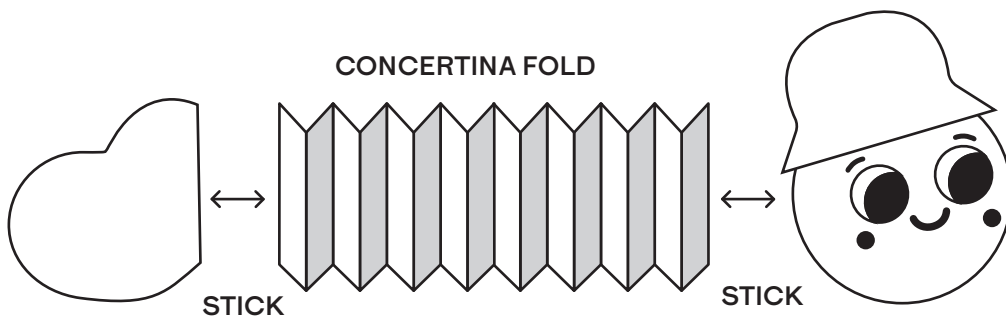
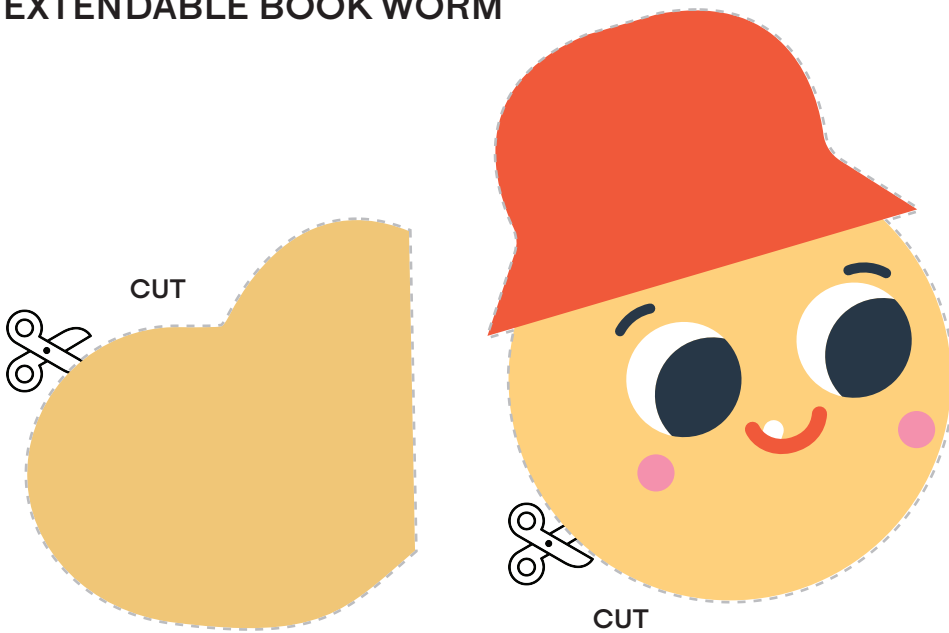


WALKING GRUMPY TRIANGLE

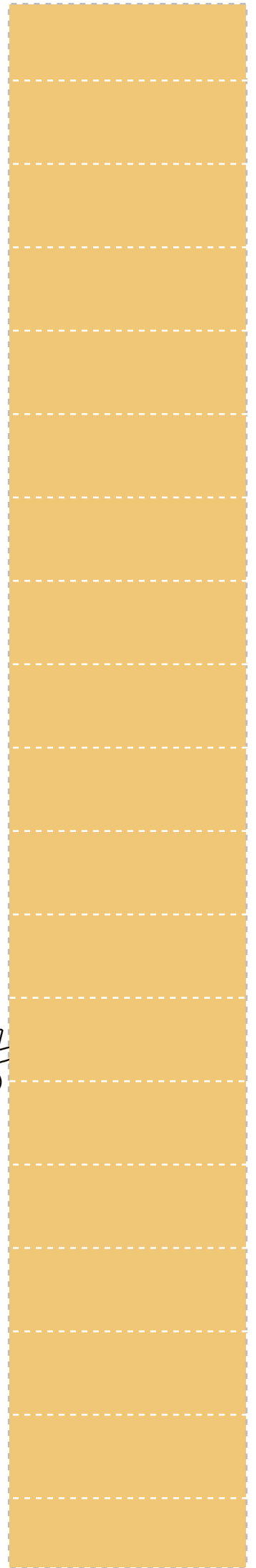


INSERT SPLIT PINS
TO JOIN LEGS
TO BODY

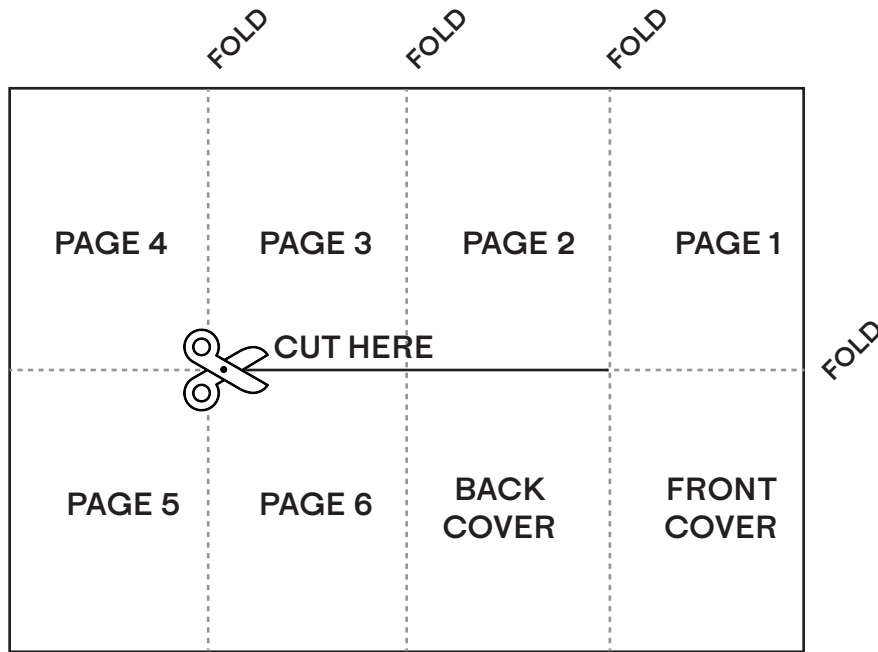
EXTENDABLE BOOK WORM



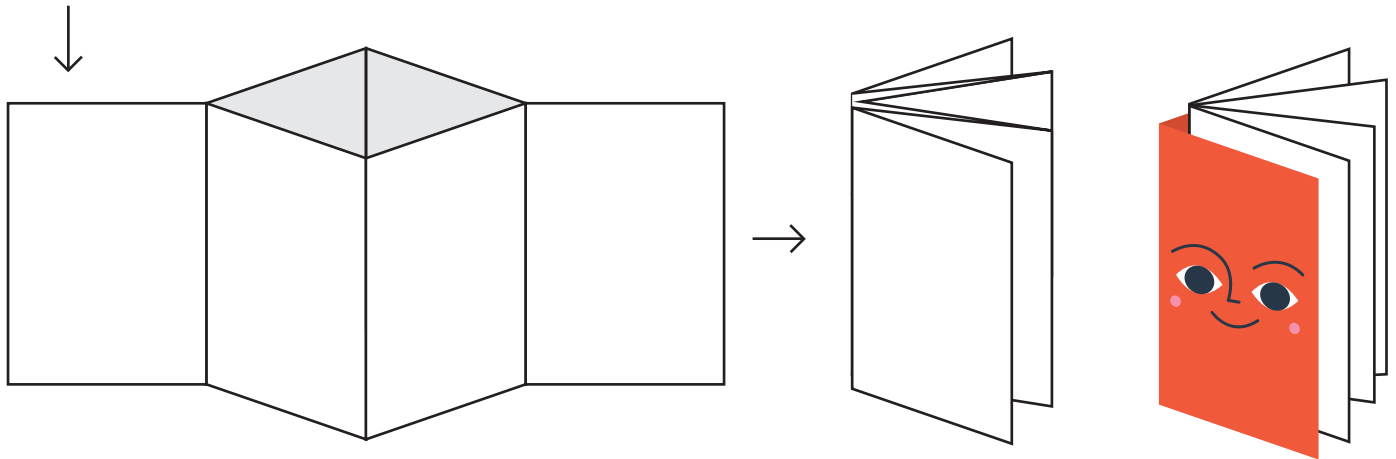
CUT OUT FOLD ON DOTTED LINES



HAPPY MINI BOOK



USE AN A4 PIECE OF PAPER & MAKE YOUR OWN MINI BOOK.



ONCE THE BOOK IS MADE ATTACH THIS COVER USING GLUE OR TAPE

